

English



Sonic Boom

OPERATION INSTRUCTIONS

IMPORTANT - Please read these instructions carefully before use and retain for future reference.

- Use only the supplied or recommended Sonic Alert adaptor to connect the unit.

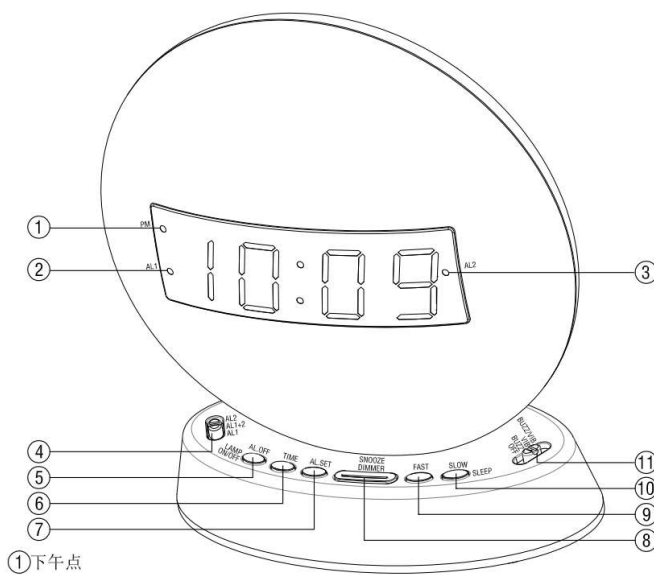
WARNING: To prevent fire or shock hazard do not expose this appliance to rain or moisture.

- The ventilation should not be impeded by covering the ventilation openings with items such as, newspaper, table cloth, curtains, etc.;
- No naked flame sources, such as lighted candles should be placed on the apparatus.
- It shall not be exposed to dripping or splashing and that no objects filled with liquids, such as vases, shall be placed on the apparatus.
- Do not place the product in closed bookcases or racks without proper ventilation.
- Where the mains/ power plug is used as the disconnect device, the disconnect device shall remain readily operable.

GENERAL DATA:

UL listed Power Adaptor: AC100-240V~, 50/60Hz

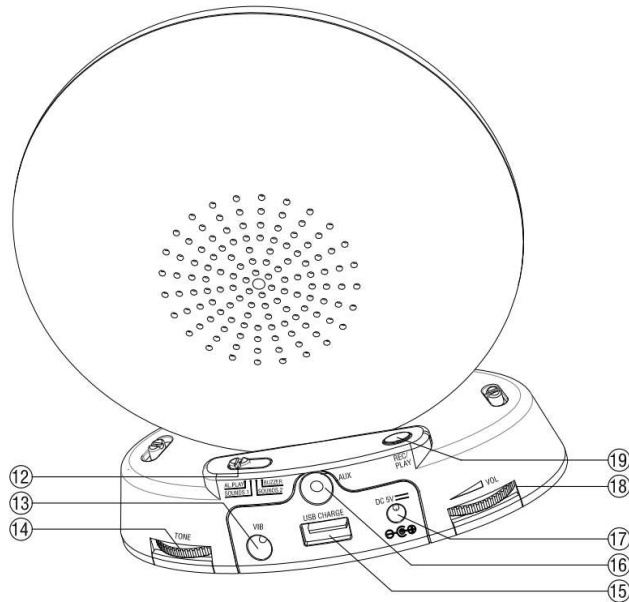
Adaptor Output: DC5V , 2.2 A



①下午点

Features

- 1) PM Indicator
- 2) Alarm 1 Indicator
- 3) Alarm 2 Indicator
- 4) Alarm Mode Switch (AL1, AL2, AL1+AL2)
- 5) Alarm Off / LAMP on/off
- 6) Time Set
- 7) Alarm Set
- 8) Snooze / Dimmer
- 9) Fast
- 10) Slow / Sleep
- 11) Alarm Function Switch



- 12) Alarm Sound Selector
- 13) Vibrator Output
- 14) Tone Wheel
- 15) USB for Charging
- 16) AUX Input
- 17) DC Input
- 18) Volume Wheel
- 19) Record / Play

Test Mode:

- 1) Press and hold the Snooze (8) and Time (6) buttons for 3 seconds to enter the Test Mode. The display will show "7ES7" to indicate it is in TEST Mode.
- 2) If within 1 minute no button is pressed, then it will exit the Test Mode and return back to the Time Mode.
- 3) While in Test Mode, sliding the Alarm Function Switch (11) will demonstrate the different functions of the clock; Buzz, VIB or Buzz & Vib.
- 4) After finish with the Test Mode, press any button (except the Snooze & Time buttons, which has no effect) it will exit the Test Mode immediately.

Setting the Correct Time -

- 1) Press and hold the TIME Button (6) and at the same time press the FAST Button (9) or the SLOW button (10) to advance clock display until you have desired time.
- 2) The lighted dot (1) located in upper left corner of the clock display indicates the time is PM. For AM time, this dot will not light up.

Setting the Alarm Time -

Setting Alarm 1

- 1) Slide the ALARM MODE SWITCH (4) to AL1 position, the alarm indicator AL1 (2) will light up.
- 2) Press and hold the ALARM SET (7) button and at the same time press the FAST Button (9) or the SLOW button (10) to advance clock display until the desired alarm setting is reached.
- 3) Make sure alarm time is correctly set for AM or PM.

Setting Alarm 2

- 4) Once alarm AL1 has been set, slide ALARM MODE SWITCH (4) to AL2 position, the alarm indicator AL2 (3) will light up.
- 5) Press and hold the ALARM SET (7) button and at the same time press the FAST Button (9) or the SLOW button (10) to advance clock display until you reach desired alarm setting.

Selecting 12 or 24 hours format -

Press and hold the Fast Button (9) for 6 seconds to enter the hour selection mode, release the Fast Button (9) when the display shows "12 H" or "24 H".

Press the FAST button (9) to toggle between 12 or 24 hours format. If no selection is made within 4 seconds, then the last displayed hour format will be chosen and the display will return to the normal Time mode.

Alarm -

Enable Alarms:

- 1) To enable Alarm 1, slide the ALARM MODE SWITCH (4) to AL1 position. the alarm indicator AL1 (2) will light up.
- 2) To enable Alarm 2, slide the ALARM MODE SWITCH (4) to AL2 position, the alarm indicator AL2 (3) will light up.
- 3) To enable both alarms, slide the ALARM MODE SWITCH (12) to AL1+AL2 position, the alarm indicators AL1 (2) and AL2 (3) will light up.

Shutting Off the Alarm -

Alarm can be shut off temporary for the day or permanently shut off.

- 1) When alarm goes off, press the ALARM OFF (5) button to turn off for the day. The alarm will repeat at the same time the next day, if alarm setting has not been changed.
- 2) To shut the alarm off permanently, slide the Alarm Function Switch (11) down to the OFF position.

NOTE: The Alarm Off function of Alarm 1 and Alarm 2 is independent of each other.

To Select Wake up mode -

To select the wake up mode, slide the Alarm Function Switch (11) to your desired position: -

- a) BUZZ for sound (Alarm Sound is user selectable)
- b) VIB for bed shaker
- c) VIB/ BUZZ for both sound and bed shaker

NOTE: once the wake up mode is chosen, this will apply to both alarms.

To Select Alarm Sound

To select the alarm sound, slide the Alarm Sound Selector (12) to your desired setting. The user can select between, two built-in sounds, the standard buzzer sounds, as well as their own recordings.

Recordings

To make your recording, press and hold the Record (19) button 1 sec, then make your own recording. (10 sec)

To playback your recording, press the Play (19) button.

Alarm Patterns -

When the alarm is activated, alarm pattern of the buzzer / flashing display will be out of sync with the vibrator. This means that when the buzzer / flashing display is ON, the vibrator will be OFF and while the buzzer/ flashing display is OFF, the vibrator will be ON.

ALARM 1 - When Alarm 1 is active, the buzzer will beep 3 times, then the vibrator will be on.

This pattern is repeated until the alarm is stopped.

ALARM 2 - When Alarm 2 is active, the buzzer will beep 4 times, then the vibrator will be on.

This pattern is repeated until the alarm is stopped.

Adjusting the Alarm Duration Time -

The default alarm duration time setting is 30 minutes; you may adjust the alarm duration between 1 minute and 59 minutes as desired. To adjust the alarm duration:

* Press and hold the AL. SET button (7) for six seconds. The clock display will show the default alarm duration as '30'. Release the AL set button.

* Press the SLOW button (10) to adjust the alarm duration to the desired setting, from 1 minute to 59 minutes.

* When the display is showing the desired alarm duration time, it will return to the normal clock mode after 3 seconds. The new alarm duration time setting becomes the new default and remains in the memory until you change it again.

Adjusting the Snooze Time -

The default snooze time setting is 7 minutes but you may adjust the snooze time between 1 minute and 30 minutes as desired. To adjust the snooze time:

* Press and hold the SNOOZE Button (8) for two seconds. The clock display will show the default snooze time '7'. Release the snooze button.

* Press the SLOW Button (10) to adjust the snooze time to the desired setting, from 1 minute to 30 minutes.

* When the display is showing the desired snooze time, it will return to the normal clock mode after 3 seconds. The new snooze time setting becomes the new default and remains in the memory until you change it again.

Dimmer Operation -

There is a 5-level brightness control for the LED display. In normal time mode, press the SNOOZE button (8) once to change the display brightness setting. The brightness will cycle from bright to dim then from dim to bright. (5 being the brightest, 1 being the dimmest).

NOTE: The dimmer function will not work, when the clock is in snooze mode.

Sleep Function -

You may use the sleep function to listen to the music on while you go to sleep. It will automatically shut itself off after a specified time.

- 1) While in the normal time mode, a short press of the Sleep (10) button to select the desired timer. There is a choice of 90, 60, 45, 30, 15 (minutes).
- 2) After the preset time is up, the unit will turn itself off.
- 3) The night light will also light up during the sleep function. This night light will also turn off after the timer is up.

AUX Input -

This clock can also be used as amplified speaker for another device.

- 1) First use a 3.5 mm male to 3.5mm male cable, one end connects to the AUX (16) at the back of the clock and the other end to the 3.5mm earphone jack of the source.

- 2) Play the music from the source, the music will be amplified through the speaker of the clock.

Volume & Tone Control-

- 1) To adjust the volume, rotate VOLUME wheel (18) located on the lower right corner of the clock.
- 2) To adjust the TONE, turn the TONE wheel (14) located on the top right corner of the clock.

Bed Shaker / Vibrator -

- 1) Attach the bed shaker jack to the back of clock at VIBRATOR INPUT (13).
- 2) To turn on vibrator slide Alarm Function Switch (11) to VIB/BUZZ or VIB position.
- 3) Place vibrator between mattress and box spring.

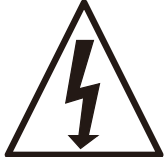

Battery Backup -

To use the battery backup, you can install a 3-volt coin battery, CR2032 in the base of the clock (). During a power failure, the backup battery can only keep the clock IC running for up to 30 days. **NOTE: During a Power failure, the LED display will not show the time.**

NOTE: For the best result, it is recommended that the battery be changed every 6 months. If the clock is not used for a while, it is recommended to remove the battery to avoid damage to the clock from battery leakage.

Power Input (DC5V)

Attach the DC power cord to the back of the clock labeled DC5V (17).

 <p>The Lightning flash with arrowhead symbol, within an equilateral triangle, is intended to alert the user to the presence of uninsulated "dangerous voltage" within the product's enclosure that may be of sufficient magnitude to constitute a risk of electric shock to persons.</p>	<p>CAUTION: TO REDUCE THE RISK OF ELECTRICAL SHOCK, DO NOT REMOVE THE COVER (OR BACK) FROM THE PRODUCT. NO USER SERVICEABLE PARTS INSIDE. REFER SERVICING TO YOUR SONIC ALERT DEALER.</p>	 <p>The exclamation point within an equilateral triangle is intended to alert the user to the presence of important operating and maintenance (servicing) instructions in the literature accompanying the appliance.</p>
--	---	---

WARNING: TO PREVENT FIRE OR SHOCK HAZARD, DO NOT EXPOSE THIS APPLIANCE TO RAIN OR MOISTURE.

- Attention should be drawn to the environmental aspects of battery disposal.



- This icon indicates separate disposal for electrical and electronic equipment.

Normal function may be disturbed by strong electromagnetic interference. If this is the

case, normal function can be resumed by simply resetting the unit following the procedure in the instructions manual. If function does not resume, try moving the unit to another location.

SONIC ALERT'S 1 YEAR LIMITED WARRANTY

The Sonic Boom Alarm Clock Model SBW100 is warranted against manufacturing defects in materials and workmanship for one (1) year from the date of purchase. Within this period Sonic Alert will repair or replace at our option the SBW100 without charge for parts and labor. Simply contact our customer service department to obtain an RA (return authorization number) and instructions on how to process your product for return.

Call 1-888-864-2446 or e-mail to RMA@sonicalert.info. You'll need a copy of your receipt to process the return authorization.

Sonic Alert Inc., Troy MI 48083 USA

Sonic Alert

Made in China

Sonic Alert, Troy, MI 48083

www.SonicAlert.com 1-888-864-2446